

AMERICAN RANGE

CHEF INSPIRED, PROFESSIONAL COOKING EQUIPMENT FOR THE HOME

LEGACY II 30" WALL OVEN

SINGLE ELECTRIC

LEGACY II - ELECTRIC WALL OVEN FEATURES

- Warming mode to keep food warm without over cooking
- Smart Bake mode uses well tested cooking logarithm
- Convection Bake to help promote airflow and even heat
- Convection Roast perfect for proteins
- Smart Roast mode uses well tested cooking logarithms
- Broil at 3500 WATTS for terrific searing
- Proof to help improve rising bread
- Easy Clean mode for a fast and easy clean up.
- Oven Indicator lights show when oven is in operation.
- Simplified control panel to ensure ease of use and quick access to oven features, modes, and operations.



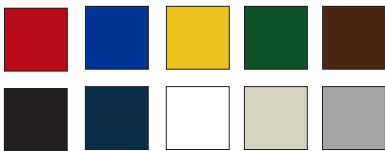
SEF-30
SHOWN IN STAINLESS STEEL WITH OPTIONAL FRENCH DOOR

WELCOME TO A NEW AGE OF ELECTRIC OVENS

The American Range Legacy II - Electric Wall Oven is ushering in a new era of sophistication, precision, and expertise. Designed with the user in mind, this oven was completely engineered from the ground up to excel in all areas of the cuisine and culinary experience. Its simple, sophisticated design will look great in any kitchen and is available in hundreds of colors to ensure that it can be the accent of any good design. The simple control interface makes it fast and easy to operate and set to any mode you like, but hides the true fully computerized brain behind the scenes. And the Easy Clean mode will make it a breeze to manage! With LED lights, low energy consumption electronics, smart bake settings, and cooking logarithm that have been extensively researched, developed, and tested, you can be sure that you will get the most out of your new oven!

CUSTOMIZE YOUR WALL OVEN

Pick any RAL color to match the color that best suits your lifestyle.



See ralcolorchart.com for color options for the front panel & toe kick and/or knobs.



www.AmericanRangeHome.com



LEGACY II 30" WALL OVEN

SINGLE ELECTRIC

LEGACY II - ELECTRIC WALL OVEN FEATURES

Convection Oven

Bake element 3,500 watts

Broil element 3,500 watts

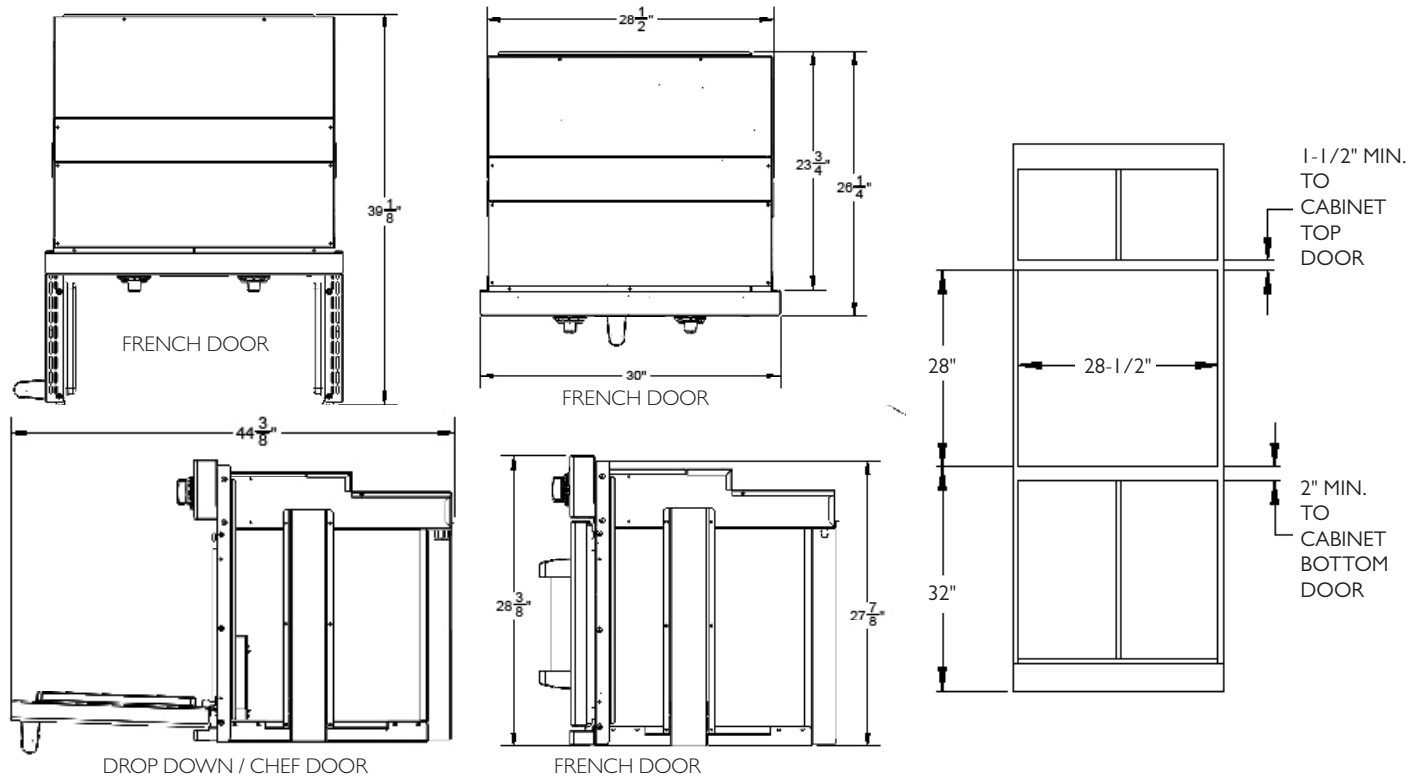
Convection element 2,500 watts

Convection fan

Modes: Bake, Convection Bake, Broil, Roast, Convection Roast, Warm, Proof, Clean

- Available with pull-down "Chef" doors or single handle "French" doors.
- Red lights indicate oven functions.
- The Advanced Cooking System creates uniform air flow by cycling different elements depending on cooking mode.
- Two chrome plated, heavy-duty racks with 6 positions on heavy gauge chrome side supports.
- 8-pass broiler provides rapid searing with 3,500 watts of power.
- Oven lights controlled by a switch on front panel.
- Oven front construction is a durable, precision made one-piece frame.
- Easy Clean mode for fast clean-up.
- Simplified control panel for ease of use.
- Easy Clean porcelain oven interior simplifies cleaning.
- Extra-large view window in door.
- Two lights in each oven cell.
- Commercial grade stainless steel construction.

SINGLE WALL OVEN	
Door Type	Model Numbers
Chef Doors	SEC-30
French Doors	SEF-30
Fuel Type	Electric
Overall Width	30"
Overall Height	28-3/8"
Overall Depth:	
To the edge of control panel	26-1/2"
With French Door open (SEF-30)	39-1/2"
With Chef Door open (SEC-30)	45-1/4"
Cutout Width	28-1/2" minimum
Cutout Height	28" minimum
Cutout Depth	24" minimum
Electrical Requirements	4-wire ground, 240VAC, 35 AMP electrical connection. Equipped with #10 ground wire in unit. Fuse separately. Solid copper.
Oven	3500 WATTS
Broiler	3500 WATTS
Convection	2500 WATTS
Approximate Shipping Weight	235 Lb.



AMERICAN RANGE

CHEF INSPIRED, PROFESSIONAL COOKING EQUIPMENT FOR THE HOME

LEGACY II 30" WALL OVEN

DOUBLE ELECTRIC

LEGACY II - ELECTRIC WALL OVEN FEATURES

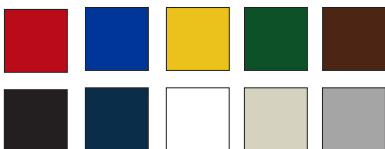
- Warming mode to keep food warm without over cooking
- Dehydrate mode to blow convection fan without heat
- Smart Bake mode uses well tested cooking logarithms
- Convection Bake to help promote airflow and even heat
- Convection Roast perfect for proteins
- Smart Roast mode uses well tested cooking logarithms
- Broil at 3500 WATTS
- Proof to help improve rising bread
- Easy Clean mode for a fast and easy clean up.
- Oven Indicator lights show when oven is in operation.
- Simplified control panel to ensure ease of use and quick access to oven features, modes, and operations.



DEFC-30
SHOWN IN STAINLESS STEEL WITH OPTIONAL FRENCH DOOR

CUSTOMIZE YOUR WALL OVEN

Pick any RAL color to match the color that best suits your lifestyle.



See ralcolorchart.com for color options for the front panel & toe kick and/or knobs.

WELCOME TO A NEW AGE OF ELECTRIC OVENS

The NEW American Range Legacy II - Electric Wall Oven is ushering in a new era of sophistication, precision, and expertise. Designed with the user in mind, this oven was completely engineered from the ground up to excel in all areas of the cuisine and culinary experience.



www.AmericanRangeHome.com



LEGACY 30" WALL OVEN

DOUBLE ELECTRIC

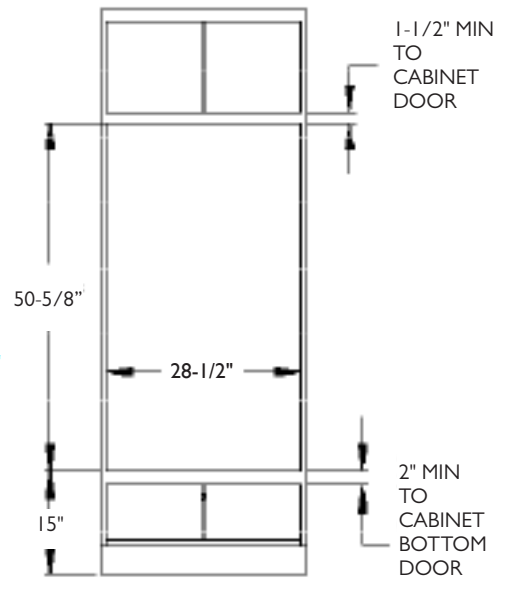
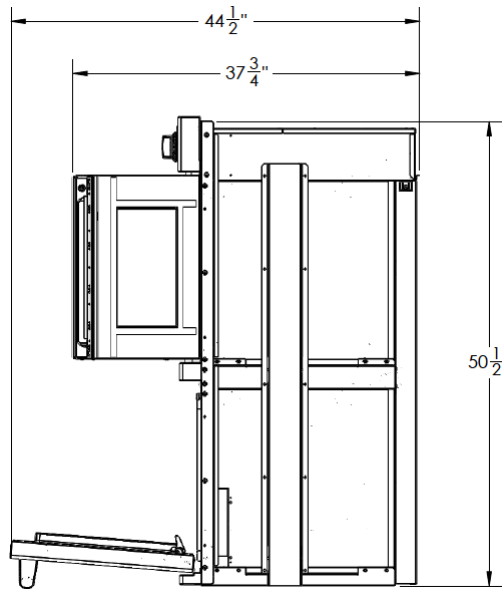
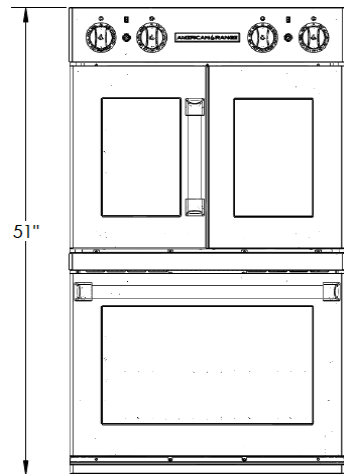
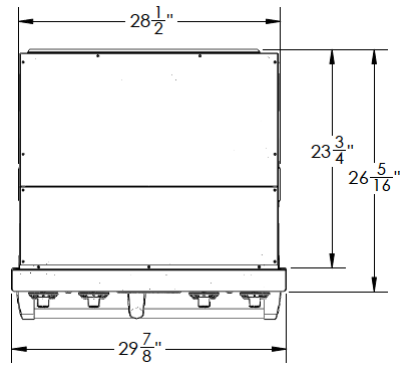
LEGACY II - ELECTRIC WALL OVEN FEATURES

Convection Oven

Bake element 3,500 watts
 Broil element 3,500 watts
 Convection element 2,500 watts
 Convection fan

Modes: Bake, Convection Bake, Broil, Roast, Convection Roast, Warm, Proof, Dehydrate, Clean

- Available with pull-down "Chef" doors or single handle "French" doors.
- Red lights indicate oven functions.
- The Advanced Cooking System creates uniform air flow by cycling different elements depending on cooking mode.
- Two chrome plated, heavy-duty racks with 6 positions on heavy gauge chrome side supports.
- 8-pass broiler provides rapid searing with 3,500 watts of power.
- Oven lights controlled by a switch on front panel.
- Oven front construction is a durable, precision made one-piece frame.
- Easy Clean mode for fast clean-up.
- Simplified control panel for ease of use.
- Easy Clean porcelain oven interior simplifies cleaning.
- Extra-large view window in door.
- Two lights in each oven cell.
- Commercial grade stainless steel construction.



DOUBLE WALL OVEN	
Door Type	Model Number
Double Chef Doors	DEC-30
Double French Doors	DEF-30
French + Chef Door	DEFC-30
Description	Electric / Electric
Overall Width	30"
Overall Height	51"
Overall Depth:	
To the edge of control panel	26-1/2"
With French Door open	39-1/2"
With Chef Door open	45-1/4"
Cutout Width	28-1/2" minimum
Cutout Height	50-5/8" minimum
Cutout Depth	24" minimum
Electrical Requirements	4-wire ground, 240 VAC, 60 AMP electrical connection. Fuse separately.
Oven (Electric)	3500 WATTS
Broiler (Electric)	3500 WATTS
Convection (Electric)	2500 WATTS
Approximate Shipping Weight	403 Lb.